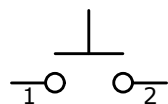
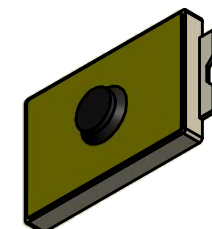
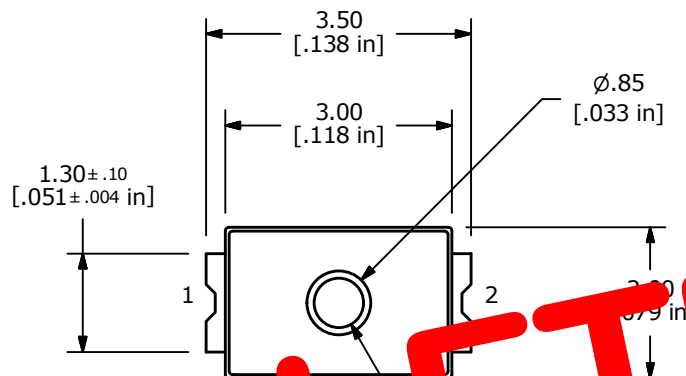


PCB LAYOUT



▲ CIRCUIT: SPST

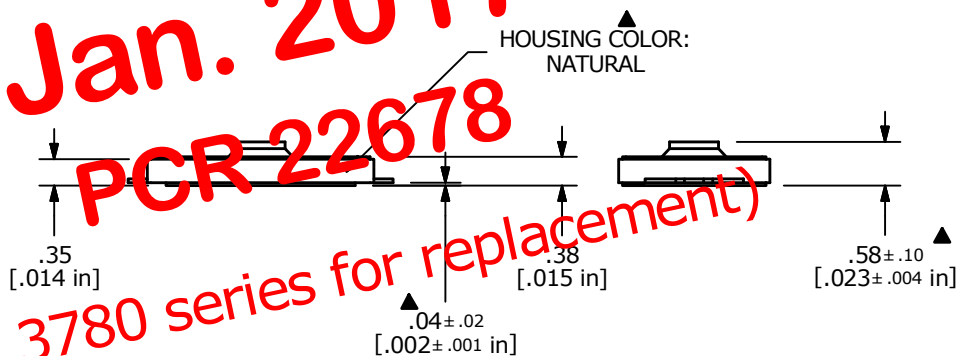


**OBSOLETE**  
 Jan. 2017  
 PCR 22678

NOTES:

1. ALL DIMENSIONS IN MM [INCH]  
 x.x = +/-0.4  
 x.xx = +/-0.25
2. TERMINAL NUMBERS FOR REF. ONLY
3. CONTACT MATERIAL: SILVER
4. CONTACT RATING: 50 mA; 12 VDC
5. TRAVEL: 0.13 ± 0.05mm
- ▲ 6. OPERATING FORCE: 100± 50 GRAMS
7. ELECTRICAL LIFE: 300,000 CYCLES
8. CONTACT RESISTANCE: 500mΩ MAX.
9. ▲ DENOTES CRITICAL PARAMETER
10. BOUNCE: 10m SECONDS MAX
11. INSULATION RESISTANCE: 100MΩ MIN @ 100VDC.
12. DIELECTRIC STRENGTH: 100VAC FOR 1 MINUTE WITH NO BREAK DOWN
13. 2002/95/EC (ROHS) COMPLIANT; HALOGEN FREE

(See 3780 series for replacement)



|                     |                |       |             |       |
|---------------------|----------------|-------|-------------|-------|
| TITLE TL3750AF100QG |                |       |             |       |
| SCALE 10:1          | DATE 2/17/2015 | DR rc | DWG P003100 | REV A |

|     |        |             |         |    |
|-----|--------|-------------|---------|----|
| A   | 21789  | New Release | 2/17/15 | rc |
| REV | PCR NO | DESCRIPTION | DATE    | BY |

THE INFORMATION CONTAINED IN THIS DOCUMENT IS PROPRIETARY TO E-SWITCH AND IS NOT TO BE COPIED OR TRANSFERRED